

CD294 Aluminum Electrolytic Capacitor



Snap In, 2000 Hours 105°C

特性Features

- Load life of 2000 hours at +105°C
在105°C环境中，负荷寿命2000小时
- Standards of 105°C
105°C标准品
- Used in General Industrial and UPS, air conditioners, inverter etc.
工业标准品，适用于电焊机储能，UPS不间断电源，空调，逆变器等电子设备中。



(Image shown is a representation only)

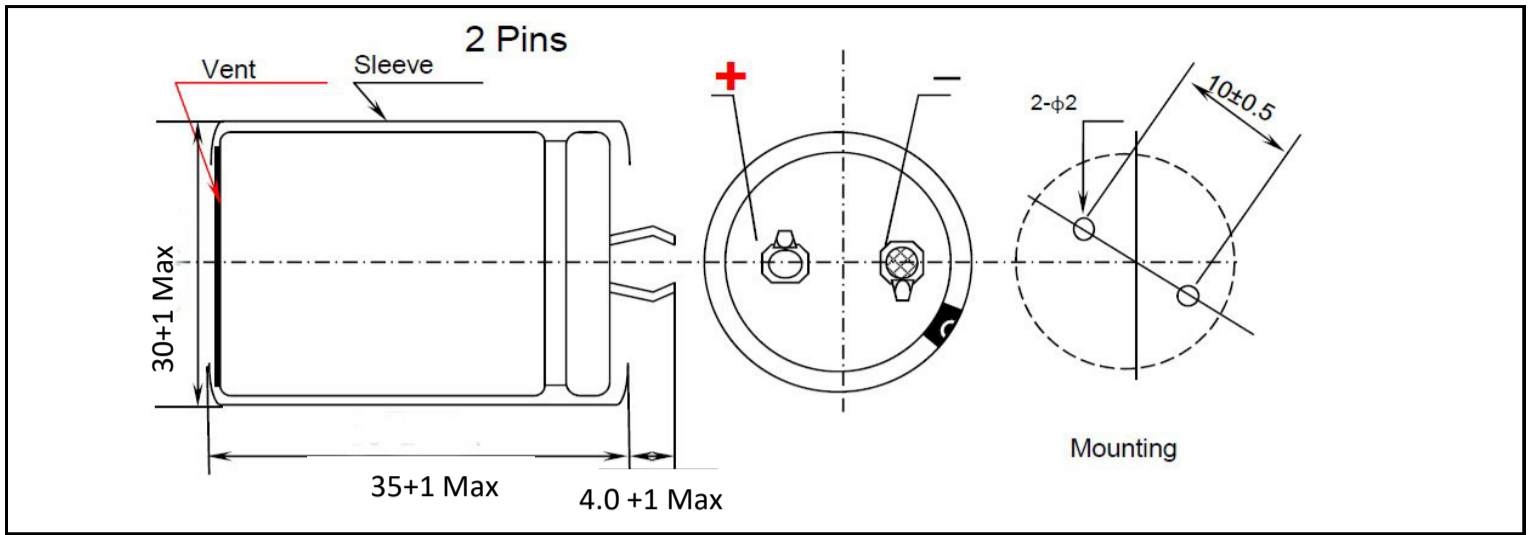
主要技术性能Specification

项目 Items	特征 Performance Characteristics			
使用温度范围 Operating Temperature Range(°C)	25 ~ +105°C			
额定电压 Rated Voltage (V)	500 VDC (Surge Voltage 550 VDC)			
标称电容量 Capacitance (uF)	220 uF			
标称电容量偏差范围 Capacitance Tolerance(20°C,120Hz)	±20%(20°C,120Hz)			
漏电流 Leakage Current (m A, 5 min)	After 5 minutes at 20°C application of rated voltage, leakage current is not more than 0.01CV or 1.5mA, whichever is smaller. C: Normal Capacitance(uF) V: Rated Voltage(V) 在20°C下加额定电压5分钟后，漏电流不大于0.01CV或者1.5mA,取最小值。			
损耗角正切值 Dissipation Factor (20°C,120Hz)(tanδ)%	tgδ ≤ 0.20			
纹波电流 Ripple Current	1.12 A			
等效串联电阻 Type ESR(mΩ)	603 mΩ			
低温稳定性 (120Hz下阻抗比) Stability at Low Temperature (Impedance Ratio at 120Hz)	电压Rated Voltage(V)	16~100	160~200	250~500
	阻抗比 Impedance Ratio	Z-25°C/Z+20°C	4	
		Z-40°C/Z+20°C	15	-
耐久性 Load life(+105°C)	时间2000小时 time 2000 hours 容量变化率: 初始测量值±20%以内 Capacitance change: Within±20% of the initial value 漏电流: ≤初始规定值 Leakage current: Not more than the Initial specified value 损耗角正切值≤200%初始规定值 Dissipation factor Not more than 200% of the Initial specified value			
高温贮存 Shelf life(+85°C)	+105°C, 1000小时贮存后，加额定电压30分钟，恢复16小时后 After storage for 1000 hours at +105°C, rated voltage to be applied for 30 minutes and then resumed for 16 hours 电容量变化: 初始值的-20~+20%以内 Capacitance change: within ±20% of the initial value 漏电流: 不大于初始规定值 Dissipation Factor: Not more than initial specified value 损耗角正切: 不超过规定值的2.0倍 Dissipation Factor: Not more than 200% of the specified value			

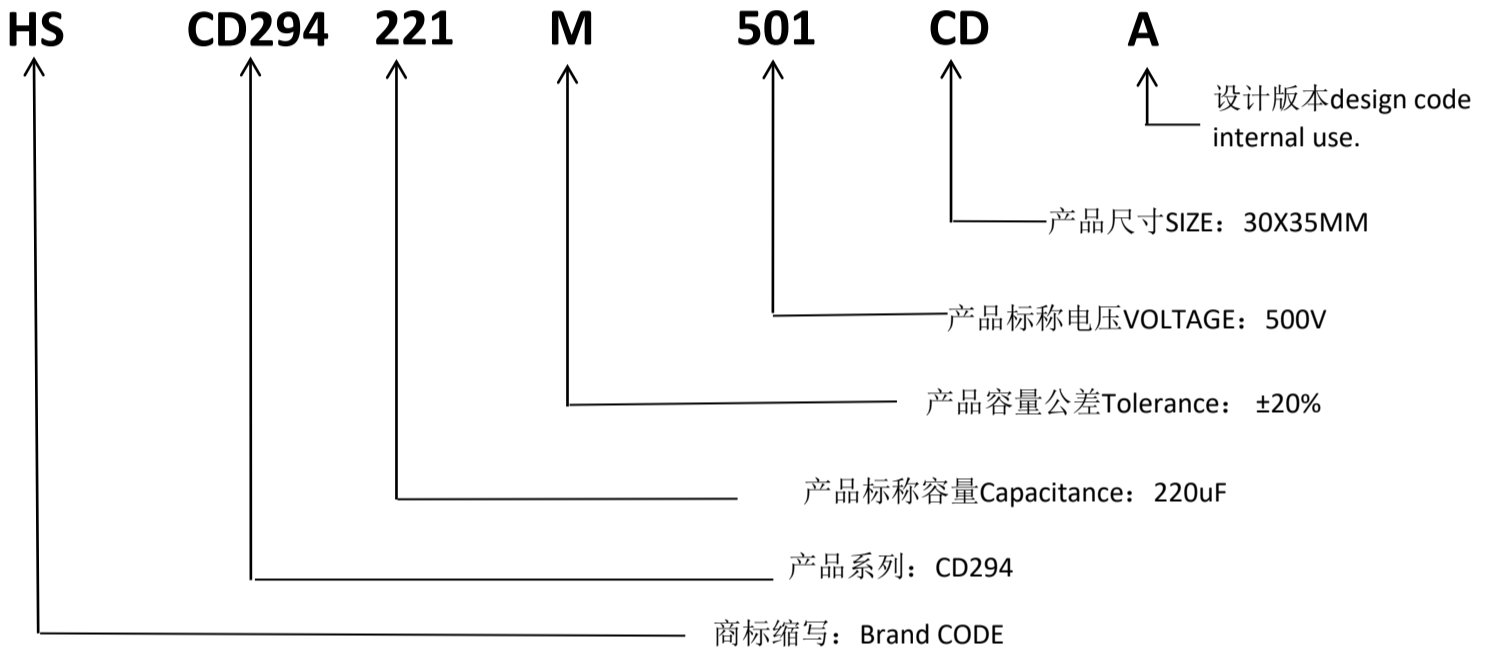
纹波电流修正系数Multiplier for ripple current

频率系数Frequency coefficient		环境温度 Temperature °C				
电压Rated Voltage(V)	频率Freq (Hz)	≤+40	+55	+70	+85	+105
≤ 100V	50Hz	0.95	1.00	1.10	1.15	1.15
160V~250V	120Hz	0.87	1.00	1.11	1.18	1.20
≥ 350V	1KHz	0.80	1.00	1.14	1.14	1.20
	10KHz					
	100KHz					
修正系数 Coefficient		2.7	2.5	2.1	1.7	1

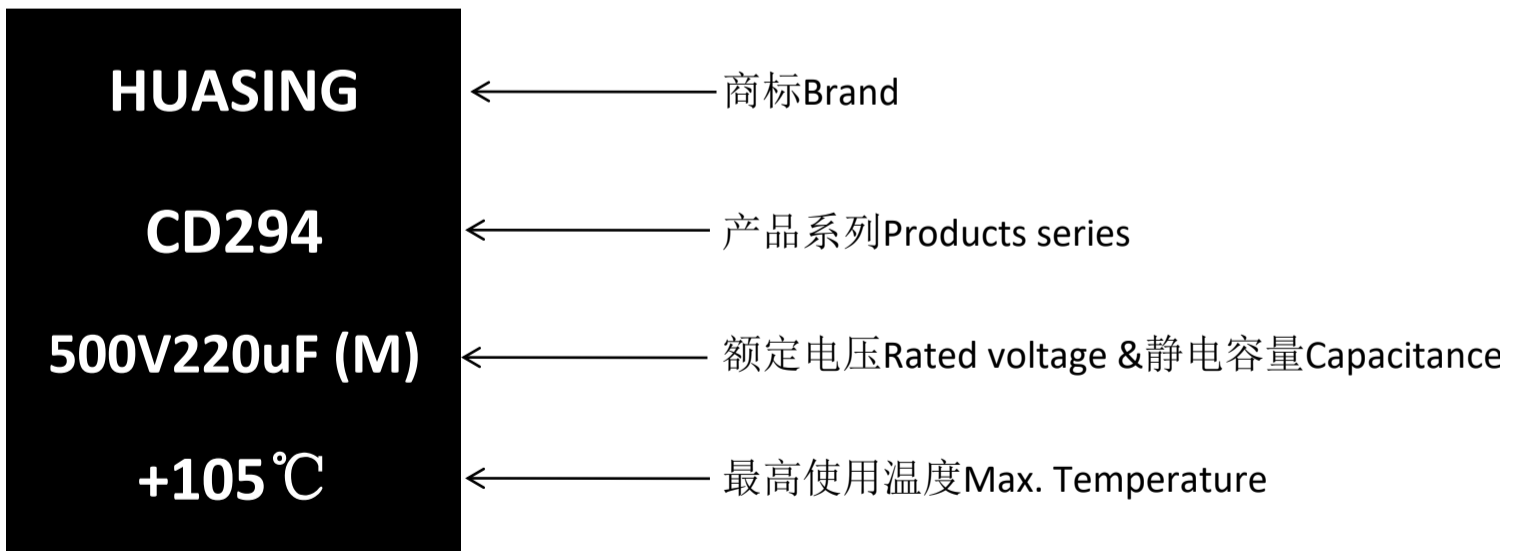
外形图 Dimensions



产品编号 Part No.



标识 Marking



可根据客户要求定制产品Customer Products are available on request

Note: All design and specifications are for reference only and is subject to change without prior notice. If any doubt about safety for your application, please contact us immediately for technical assistance before purchase.