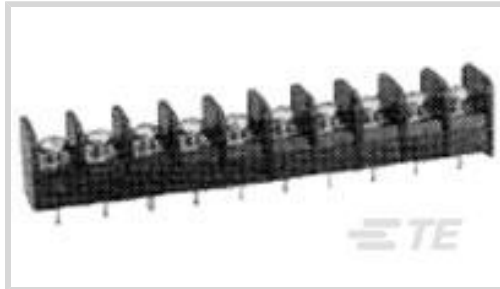




Connectors > Terminal Blocks & Strips > Barrier Strips

Barrier Strip Style: **Dual Barrier**Bottom Termination Type: **Printed Circuit Pin**Connector System: **Wire-to-Board**Number of Positions: **8**Centerline (Pitch): **11.1 mm [.438 in]**

Features

Product Type Features

Product Type	Barrier Strip
Block Style	Flat
Connector System	Wire-to-Board
Connector & Contact Terminates To	Printed Circuit Board

Configuration Features

Number of Levels	1
Number of Positions	8
Number of Rows	1

Electrical Characteristics

Current Rating (Max)	20 A
Voltage Rating	600 V

Body Features

Color	Black
Barrier Strip Style	Dual Barrier

Contact Features

Terminal Plating Material	Tin
Terminal Material	Brass
Terminal Plating Finish	Bright



Contact Current Rating (Max)	20 A
------------------------------	------

Termination Features

Bottom Termination Type	Printed Circuit Pin
-------------------------	---------------------

Mechanical Attachment

Mounting Angle	Vertical
----------------	----------

Screw Head Type	Wire Clamp Combo Head
-----------------	-----------------------

Top Termination Type	Wire Clamp Combo Head
----------------------	-----------------------

Mounting Insert	Without
-----------------	---------

Screw Plating Material	Zinc Chromate
------------------------	---------------

Screw Material	Steel
----------------	-------

Mounting Options	None
------------------	------

Mounting Ears	Without
---------------	---------

Screw Size	6-32
------------	------

Housing Features

Housing Material	Thermoplastic
------------------	---------------

Centerline (Pitch)	11.1 mm [.438 in]
--------------------	-------------------

Dimensions

Length	92.08 mm [3.625 in]
--------	---------------------

Wire Size	3 mm ²
-----------	-------------------

Usage Conditions

Operating Temperature Range	-60 – 105 °C [-76 – 221 °F]
-----------------------------	-----------------------------

Operation/Application

Circuit Application	Power
---------------------	-------

Industry Standards

UL Flammability Rating	UL 94V-2
------------------------	----------

Packaging Features

Packaging Quantity	75
--------------------	----

Packaging Method	Package
------------------	---------

Other

Comment	Do not order screw and captive clamp in combination with other top hardware., Other options available upon request,
---------	---

consult our Product Information Center.

Product Compliance

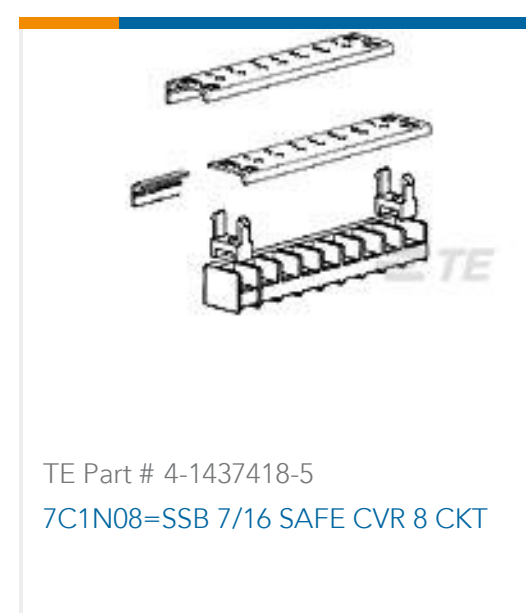
[For compliance documentation, visit the product page on TE.com>](#)

EU RoHS Directive 2011/65/EU	Compliant
EU ELV Directive 2000/53/EC	Compliant
China RoHS 2 Directive MIIT Order No 32, 2016	No Restricted Materials Above Threshold
EU REACH Regulation (EC) No. 1907/2006	Current ECHA Candidate List: JAN 2021 (211) Candidate List Declared Against: JUN 2016 (169) SVHC > Threshold: Not Yet Reviewed
Halogen Content	Not Yet Reviewed for halogen content
Solder Process Capability	Wave solder capable to 265°C

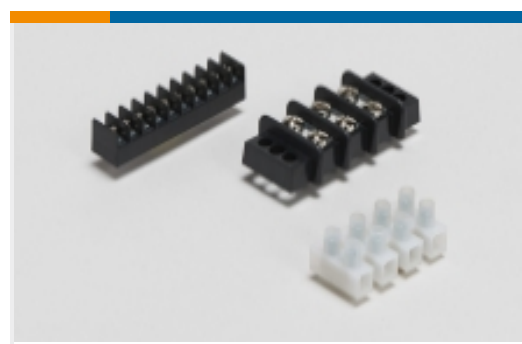
Product Compliance Disclaimer

This information is provided based on reasonable inquiry of our suppliers and represents our current actual knowledge based on the information they provided. This information is subject to change. The part numbers that TE has identified as EU RoHS compliant have a maximum concentration of 0.1% by weight in homogenous materials for lead, hexavalent chromium, mercury, PBB, PBDE, DBP, BBP, DEHP, DIBP, and 0.01% for cadmium, or qualify for an exemption to these limits as defined in the Annexes of Directive 2011/65/EU (RoHS2). Finished electrical and electronic equipment products will be CE marked as required by Directive 2011/65/EU. Components may not be CE marked. Additionally, the part numbers that TE has identified as EU ELV compliant have a maximum concentration of 0.1% by weight in homogenous materials for lead, hexavalent chromium, and mercury, and 0.01% for cadmium, or qualify for an exemption to these limits as defined in the Annexes of Directive 2000/53/EC (ELV). Regarding the REACH Regulations, TE's information on SVHC in articles for this part number is still based on the European Chemical Agency (ECHA) 'Guidance on requirements for substances in articles' (Version: 2, April 2011), applying the 0.1% weight on weight concentration threshold at the finished product level. TE is aware of the European Court of Justice ruling of September 10th, 2015 also known as O5A (Once An Article Always An Article) stating that, in case of 'complex object', the threshold for a SVHC must be applied to both the product as a whole and simultaneously to each of the articles forming part of its composition. TE has evaluated this ruling based on the new ECHA "Guidance on requirements for substances in articles" (June 2017, version 4.0) and will be updating its statements accordingly.

Compatible Parts

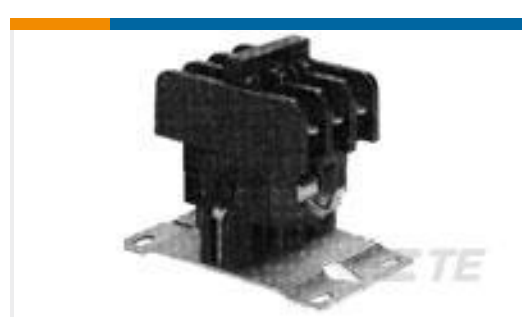
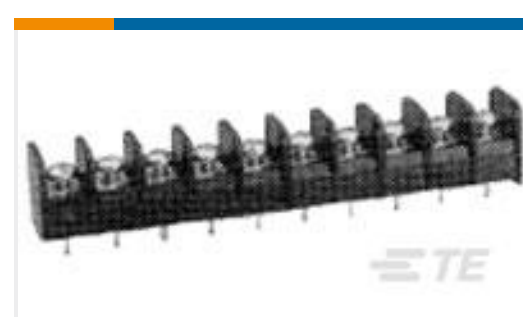


Also in the Series | **Buchanan SSB7**



Barrier Strips(28)

Customers Also Bought

TE Part #1-1393212-0
PCB Power Relay: 40 Amp, MonostableTE Part #1658537-5
D-Sub Conn Contacts: Socket, Phosphor Bronze, Signal, Size 20TE Part #1-1623779-4
Wirewound Resistor: Vertical MountTE Part #1-1676123-9
1/2W SM M/OX 5% 4R7TE Part #T4143412051-000
M12 Panel Mount PCBTE Part #102321-3
AMP-LATCH UNIVERSAL HEADERSTE Part #1437416-4
SSB7FP020202=SSB STRIP 7/16 2TE Part #1-746610-4
16 DIP PLUG, 100CL, LEAD FREETE Part #1-1393132-7
P25P42A12P1-120=CONTACTORSTE Part #1437416-8
SSB7FP030202=SSB STRIP 7/16 3

Documents

Product Drawings

[SSB7FP080202=SSB STRIP 7/16 8](#)

English

CAD Files

[3D PDF](#)

[3D](#)

[Customer View Model](#)

[ENG_CVM_CVM_2-1437416-8_K.2d_dxf.zip](#)



English

Customer View Model

[ENG_CVM_CVM_2-1437416-8_K.3d_igs.zip](#)

English

Customer View Model

[ENG_CVM_CVM_2-1437416-8_K.3d_stp.zip](#)

English

By downloading the CAD file I accept and agree to the [Terms and Conditions](#) of use.

Datasheets & Catalog Pages

[BUCHANAN TERMINAL BLOCKS CATALOG - BARRIER STRIPS](#)

English

[1-1773458-2_BARRIER_STRIPS_QUICK_REFERENCE_GUIDE](#)

English