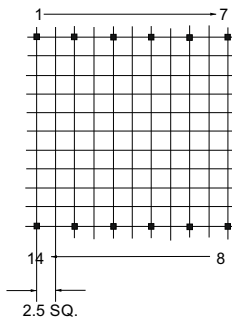
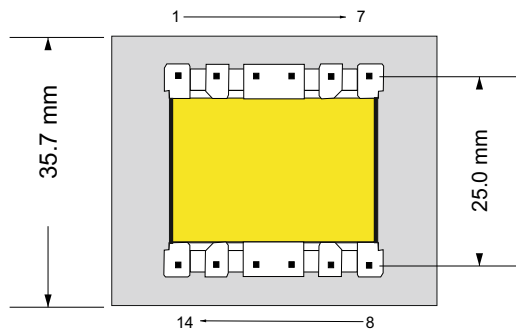
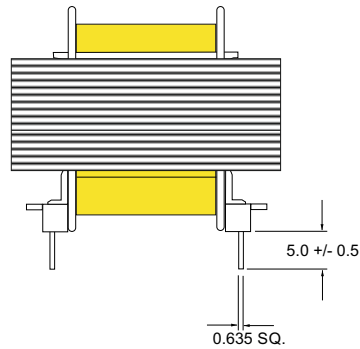
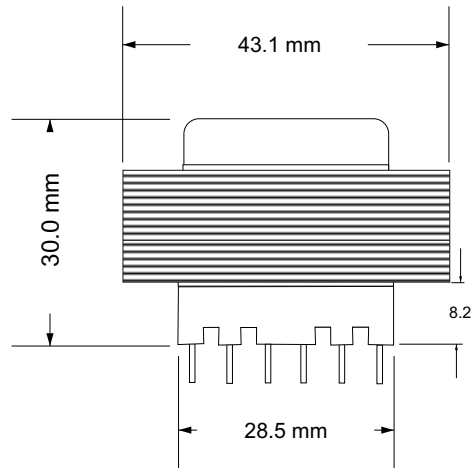


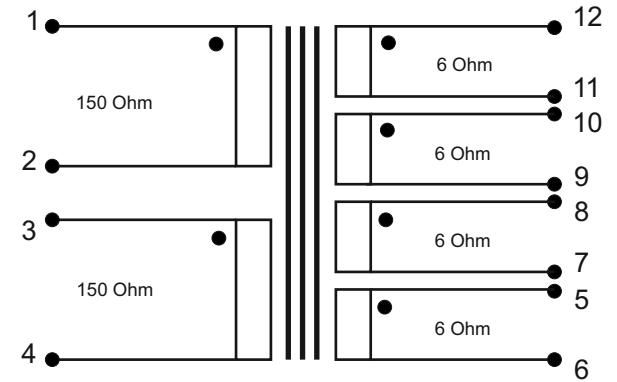
Mechanical Layout



Label
X ZZ = date code



Series Connection 600Ω/6Ω



Electrical specification:

Ratio: 10+10 to 1+1+1+1

Impedance: 600 : 6+6+6+6 ohms

Frequency range: 20Hz - 20kHz, +/- 0.2dB

THD: < 1% at 22Hz + 20dB

Primary 1&2 DCR: 15.34ohms +/- 15%

Secondary 1,2,3,4 DCR: 0.44ohms +/- 15%

Nominal inductance: 5.2H @ 100Hz, 0.27V

Operating temperature range: -20 to + 70°C

Windings are wound Bifilar



VIGORTRONIX
16 De Havilland Way
Windrush Park, Witney
Oxon, OX29 0YG, UK
Tel: +44 (0)1993 777570
Fax: +44 (0)1993 777580
www.vigortronix.com

DRAWING

VTX-100-4205

Issue	Date	Drawn	PCN No	Checked
1	08-07-19	BGH		
2				
3				

DRAWING NUMBER

VTX-100-4205

